
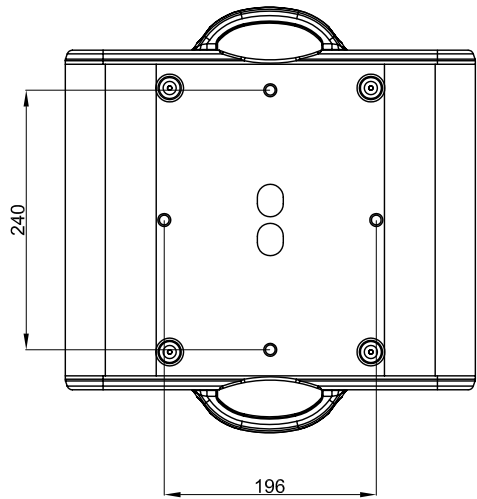
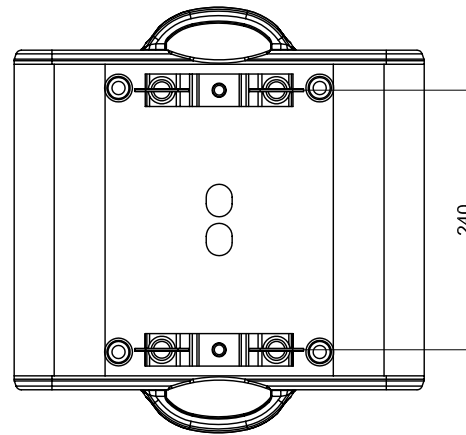


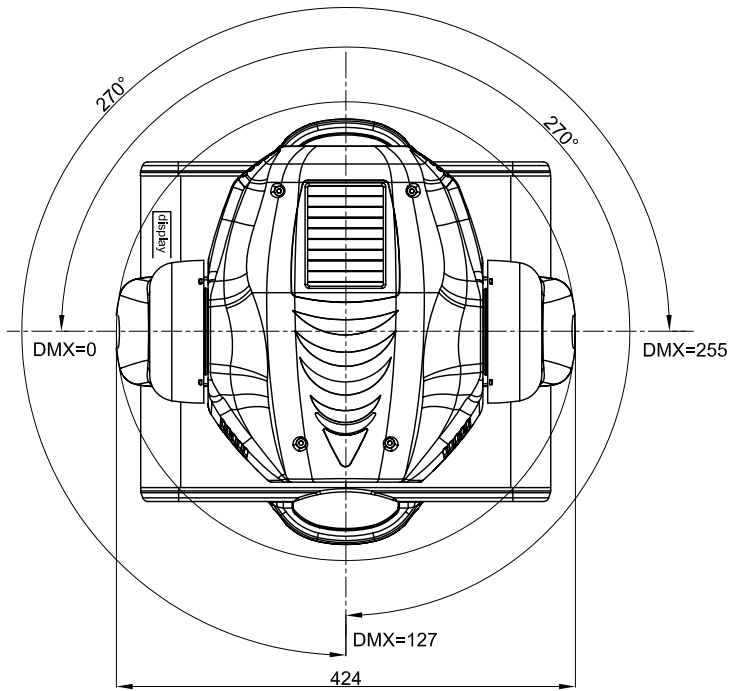
PRODUCT:	POWER SPOT 575IE	
TITLE:	Dimensions	
DOCUMENT:	All dimensions in mm.	
VERSION: 1.0	DATE: 20.07.2006	SHEET:01 OF 02



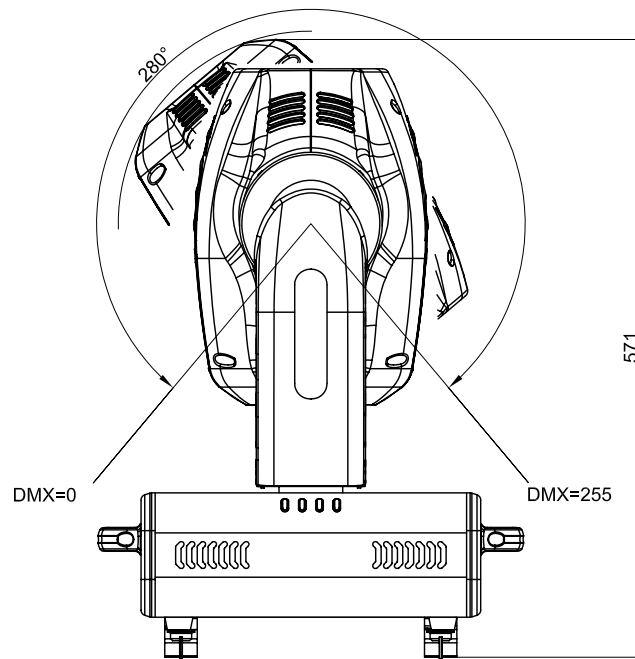
M10 nut position scheme




Camloc fastener position scheme



Pan movement range: 540°



Tilt movement range: 280°

PRODUCT:	POWER WASH 575E	
TITLE:	Dimensions	
DOCUMENT:	All dimensions in mm.	
VERSION: 1.0	DATE: 20.07.2006	SHEET:02 OF 02