



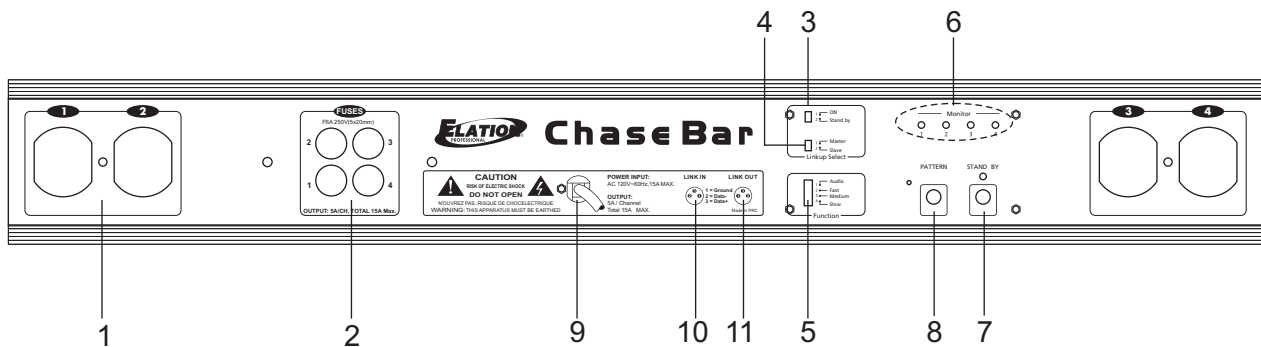
Chase Bar

User Instructions

Product Descriptions

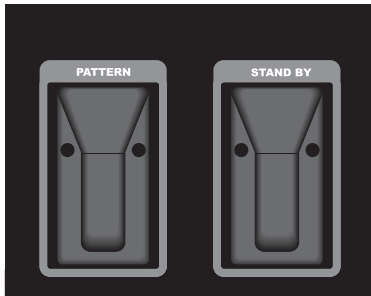
This is a T-bar 4 channels chaser, features 17 built-in chase patterns and 7 fixed scenes, each pattern has four operating modes: Audio, Fast, Medium and Slow. When linkup, this unit can be used as either a Master or Slave. A DMX controller or a foot controller(supplied) can be used to control this unit after proper connection.

Control & Functions



1. Channel Output: 5A/CH., Total 15A max.
2. Channel Fuse: F6A 250V 5x20mm
3. Blackout Selector: Moving this slider will enable or disable Stand by function when power is switched on.
4. Linkup Selector: Move this slider to select between Master and Slave.
5. Function Selector: This slider is used to select Audio/Fast/Medium/Slow mode for the patterns.
6. Channel LEDs: These LEDs indicate the intensity of corresponding channel or activity of the pattern or scene.
7. Stand By Button: This button serves several functions. In Master mode, tap this button to activate or deactivate Stand By(its LED flashes when Stand By is active). Pressing this button for three seconds can activate 17 chase patterns or 7 fixed scenes. When chase patterns are activated, each tap of Pattern button will select a chase pattern. When the scenes are activated, each tap of Pattern button will forward a scene step by step.
8. Pattern Button: In Master mode, use this button to select chase pattern or scene.
9. Power Cable: AC 120V~60Hz, 15 A max.
10. Link In: In Master mode, this connector can be plugged in a foot controller(supplied) for remote control. In DMX mode, this connector is used to receive an incoming DMX signal from either a DMX controller or Link out(11) on another unit.
11. Link Out: This connector can be used to link to next unit.

About the accessory:



Accessory(not supplied)

The Foot Controller incorporating a 3-pin female XLR connector is specially designed for cable remote control of the Chase Bar. When the Chase Bar is in Master mode, it serves as the two buttons: Pattern and Stand by on the Chase Bar, has the same functions and operations.

Technical Specifications:

Power Input	AC 120V~60Hz, 15A max.
Channel Output	5A/CH., Total 15A
Link In	3 pin XLR male socket
Link Out	3 pin XLR female socket
Fuse	F6A 250V 5x20mm
Dimensions	616x80x60mm
Weight	3.8Kg

Product Instructions:

- I. Master mode: Slide Linkup selector(3) to "Master", this unit will serve as a Master, you can use this unit directly or by a foot controller(sold separately). By linkup function, several unit can be linked together and controlled by the Master.(There is only a Master in the linkup.)
- II. Slave mode: Slide Linkup selector(3) to "Slave", this unit will serve as a Slave, all function buttons on this unit will be disabled and this unit will be controlled by the Master unit when available.
- II. DMX mode Be sure the Linkup selector is in "Slave" position. Connect this unit with a DMX controller, this unit will be controlled by a DMX controller. Within the DMX value 0-249, Stand by, 7 scenes and 17 chase patterns will be controlled by the 1st channel of the DMX controller. When the DMX value of channel 1 is among 250-255, this unit will act as a 4 channel dimmer pack and will be controlled by the controller starting from the 2nd DMX Channel.
- IV. Stand By: Tap Stand By button(6) to activate Stand By, its LED flashes indicating Stand By is active, which will kill all output momentarily. The second tap of Stand By will deactivate this function.
- V. Full On: Keep pressing Pattern and Stand By buttons at a time, Full On will be activated, all output will be brought to full intensity. Release these two buttons to leave.

DMX Control & Selection

Please refer to the following table for the DMX control of the channel 1 of the DMX controller.

DMX Values of channel 1	Functions
0-9	Stand by
10-19	Scene 1
20-29	Scene 2
30-39	Scene 3
40-49	Scene 4
50-59	Scene 5
60-69	Scene 6
70-79	Scene 7

DMX Values of channel 1	Functions
250-255	T16F serves as a 4-channel dimmer pack and will be controlled by the DMX controller starting from the 2nd channel

DMX Values of channel 1	Functions
80-89	Pattern 1
90-99	Pattern 2
100-109	Pattern 3
110-119	Pattern 4
120-129	Pattern 5
130-139	Pattern 6
140-149	Pattern 7
150-159	Pattern 8
160-169	Pattern 9
170-179	Pattern 10
180-189	Pattern 11
190-199	Pattern 12
200-209	Pattern 13
210-219	Pattern 14
220-229	Pattern 15
230-239	Pattern 16
240-249	Pattern 17

NOTE:

1. When the DMX value of channel 1 is within 0-9, the T16F will be in Stand by mode.
2. When the 1st DMX channel is set to 250-255, the T16F will serves as a 4 channel dimmer pack, and be controlled by the DMX controller starting from the 2nd channel.

WARNING!

This Product must be earthed.

Disconnect power cable before opening.

To prevent fire or shock hazard, do not expose this product to a high temperature or high humidity area.

Caution! No user serviceable parts inside, do not attempt repairs. In the event your unit should fail, please contact your authorized dealer.