

Design Wash 250 Dimensions

The Design Wash 250 by Elation Professional is a 250W discharge CMY moving head wash featuring the CMY color mixing system, based on graduated cyan, magenta and yellow color filters as well as 8 fixed dichroic colors. This unit also features motorized zoom, dual flag mechanical dimmer, variable speed strobe effect (1-13 flashes per second), 180° beam shaper and frost filter. Control data input is via 3 pin or 5 pin DMX data first in and out cables. The Design Wash 250 also features Philips MSD 250/2 lamp providing up to 3,000 hours estimated lamp life. The Design Wash 250 is equipped with remote DMX adjustable motorized zoom allowing for a maximum beam angle of 28° and a minimum beam angle of 18°. The unit is rated IP 20 and is designed for indoor use only. Rigging for this unit includes 2 x 1/4 turn Omega clamps, 3-pin dmx cable and safety.

## FEATURES

- 250W discharge moving head wash
- CMY color mixing system
- 8 dichroic-filters plus white
- High luminous-efficiency parabolic reflector
- Frost filter for softer beam
- 150 mm Fresnel lens
- Lux 28,000 @ 18° @ 2.5M
- 180° beam shaper
- Wide and flat beam can be rotated by 90°
- Automatic Pan / Tilt position correction
- Maximum PAN-movement 630° in 2.0 secs. (default) or 540° (user selectable) / 16 bit
- Maximum TILT-movement 265° in 1.5 secs. / 16 bit
- Pre-set variable/random strobe and dimming pulse effect
- Sound active mode
- Vector Mode with blackout
- DMX control via 16 channels
- 4 Digit L.E.D. Display
- On board menu settings

## TECHNICAL SPECIFICATIONS

- **DMX Channels:** 16 DMX Channels, RDMX - Remote DMX Addressing
- **Control:** USITT DMX-512 (16-bit resolution), 3-pin XLR serial input/output
- **Dimmer:** Dual Flag mechanical dimming system
- **Strobe:** Variable speed strobe effect (1-13) flashes per second
- **Motorized Zoom:** Remote DMX adjustable 18° to 28° beam angle
- **IP Rating:** IP 20
- **Power Supply:** AC 98V, 120V, 220V, 208V, 230V, 240V 50/60Hz
- **Power Consumption:** 400W
- **Fuse:** 8A (120V) or 4A (220V), magnetic ballast
- **Lamp:** Philips MSD250/2
- **Lamp life:** 250W, 8500°K, 3000HRS
- **Dimensions:** (LxWxH) 14" x 14" x 22.5" / 355.6mm x 355.6mm x 571.5mm
- **Weight:** 59 lbs. / 26.76 kg
- **Rigging:** 2 x 1/4 turn Omega Clamps  
1 x safety cable  
1 x 3-pin DMX data cable

**RDMX**  
REMOTE DMX ADDRESSING

POWERED BY  
**PHILIPS**



# Design Wash 250



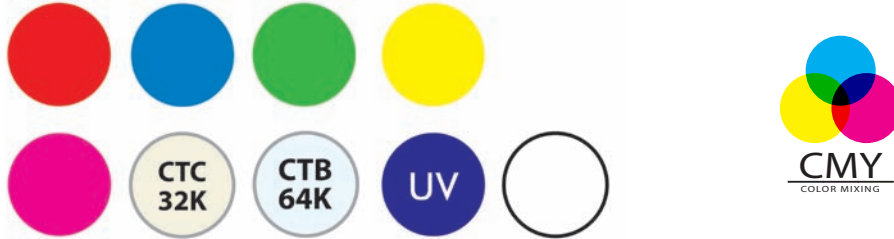
## COLORS

### CMY - COLOR MIXING SYSTEM

The CMY color mixing system is based on graduated cyan, magenta and yellow color filters. A continuous range of colors may be achieved by varying the amount of each filter from 0 to 100% 30 CMY color macros.

- 8 dichroic-filters plus white
- Red, green, blue colors and 3200K, 5600K, UV filters
- Continuous, variable speed, color scrolling in both directions (rainbow effect)

### COLORS

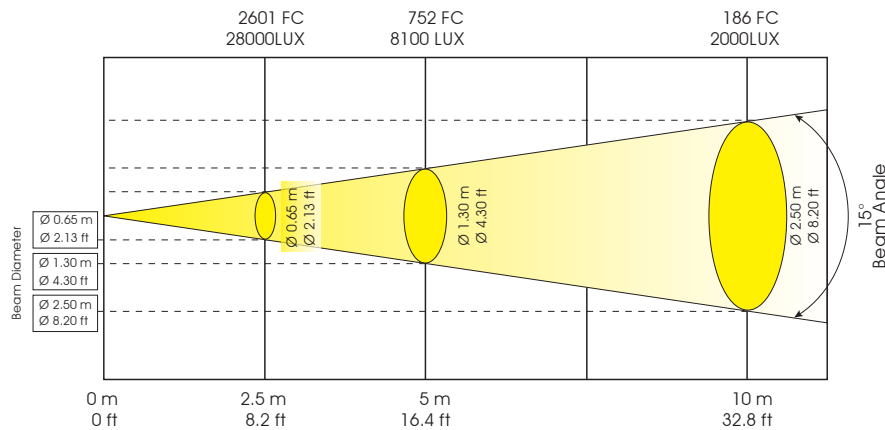


## PHOTOMETRICS

### Design Wash 250 Photometric Beam Angle Data

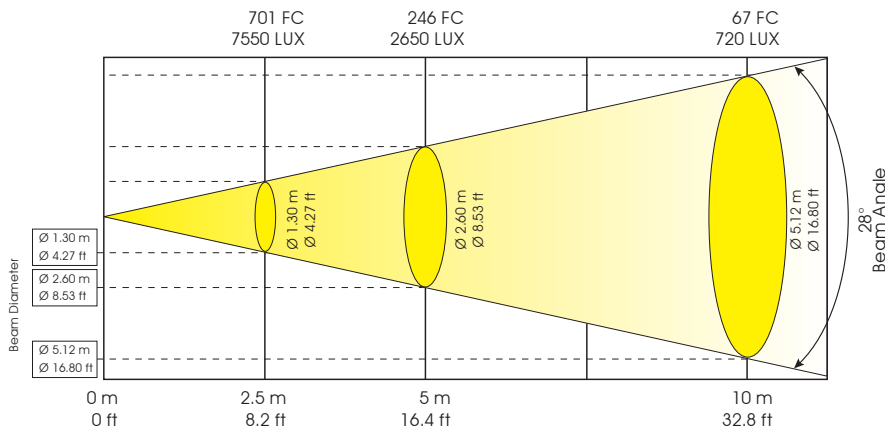
#### Minimum Beam Angle 15°

LUX x 0.0929 = FC



#### Maximum Beam Angle 28°

LUX x 0.0929 = FC



# Design Wash 250



## DMX TRAITS

- Channel 1 - Pan movement 8bit
- Channel 2 - Pan fine
- Channel 3 - Tilt movement 8bit
- Channel 4 - Tilt fine
- Channel 5 - Color wheel 1
- Channel 6 - Cyan color wheel
- Channel 7 - Magenta color wheel
- Channel 8 - Yellow color wheel
- Channel 9 - Effect wheel
- Channel 10 - Zoom
- Channel 11 - Shutter strobe
- Channel 12 - Dimmer intensity
- Channel 13 - Color macros (CMY and color wheel)
- Channel 14 - Speed of CMY and dimmer
- Channel 15 - Speed pan/tilt movement
- Channel 16 - Lamp on/off, reset and internal programs

Product Order Code	Description
Design Wash 250	250W CMY moving head wash
Accessories Order Code	Description
DRC-250DS	Optional road case for Design Spot 250