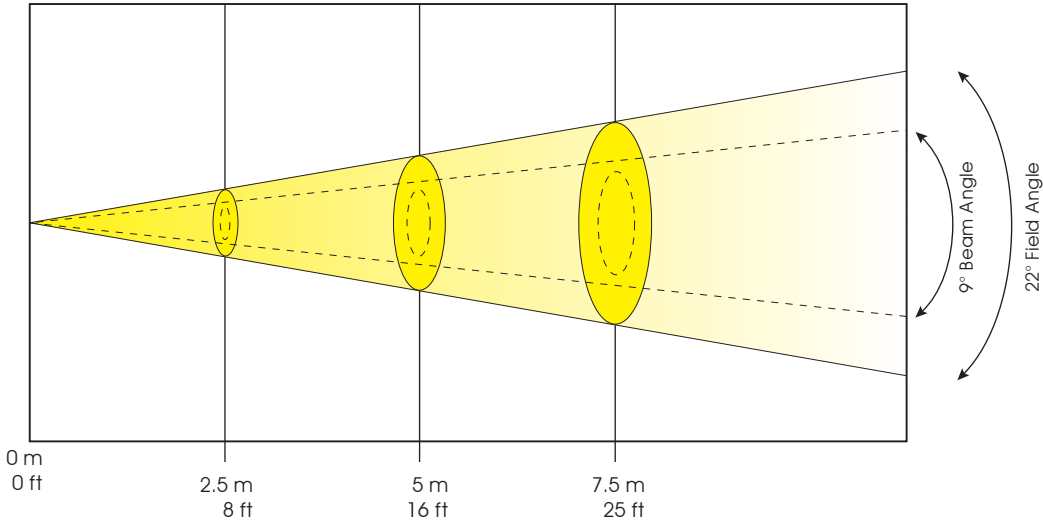


ELAR 180 Par RGBAW
Photometric Beam Angle Data

9° Beam Angle, 22° Field Angle / 10° Lens

LUX x 0.0929 = FC

R (12)	108 FC / 1,166 LUX	32 FC / 340 LUX	13 FC / 137 LUX
G (12)	400 FC / 4,296 LUX	110 FC / 1,189 LUX	49 FC / 525 LUX
B (12)	86 FC / 920 LUX	24 FC / 258 LUX	11 FC / 116 LUX
W (12)	238 FC / 2,567 LUX	69 FC / 739 LUX	29 FC / 314 LUX
A (12)	152 FC / 1,641 LUX	51 FC / 545 LUX	18 FC / 189 LUX
Full (60)	1,015 FC / 10,930 LUX	269 FC / 2,900 LUX	128 FC / 1,375 LUX



Beam Diameter

9° Beam Angle	Ø 0.96 m / Ø 3.15 ft	Ø 1.92 m / Ø 6.31 ft	Ø 2.88 m / Ø 9.45 ft
22° Field Angle	Ø 0.39 m / Ø 1.28 ft	Ø 0.78 m / Ø 2.56 ft	Ø 1.17 m / Ø 3.84 ft