

Available in white or black

Opti RGB Dimensions

The Opti RGB by Elation Professional is a high output LED color changer featuring full RGB color mixing utilizing 24 LEDs - 8 red, 8 green, 8 blue running at 1W power each. The unit boasts a sturdy, high impact aluminum construction available in black or white casing. The Opti RGB is fan cooled with the design of the fixture optimized to provide up to 50,000 hours estimated LED life. This unit is rated at IP 20, designed for indoor applications and is available in both 120v or 240v models. This unit can be operated in stand alone mode, sound active mode or controlled via DMX controller. Control data input is via 3 pin XLR Neutrik™ serial first in and out connector cables. Heavy duty rigging yoke is included and optional safety cables and data cables are available. The Opti RGB comes fitted with a standard 25° lens kit. Optional 45° lens kit, barn doors, diffusion filter and mounting clamp are available options.

FEATURES

- High output L.E.D. Color Changer
- Powerful 24 x 1 Watt L.E.D.s (8 red, 8 green & 8 blue)
- Color strobe
- 15° beam angle
- Optional 45° beam angle lens kit available (part no. OptiRGB 45D Kit)
- Sturdy, high-impact aluminum construction
- Fan cooled
- Very low power consumption
- Very low heat output
- On-board DMX (addressable via 10 dip switches)
- Built-in sound active programs
- Optional barn doors (part no. OPTI/BDB)

TECHNICAL SPECIFICATIONS

- **DMX Channels:** 7 DMX Channels
- **Control:** USITT DMX-512, 3 pin XLR serial input/output
- **Dimmer:** 0 - 100% electronic dimming
- **Strobe:** Color strobe, 1-18 flashes per second
- **IP Rating:** IP 20
- **Power Supply:** 120V / 240V 50/60Hz
- **Power consumption:** 45W
- **Ballast:** Magnetic
- **Lamp:** 24 x 1W long-life L.E.D.s (8 red, 8 green & 8 blue)
- **Lamp Life:** 50,000 hrs. life
- **Dimensions:** (LxWxH-not including hanging bracket) 11.5" x 8.5" x 8.5" / 292mm x 215mm x 215mm
- **Weight:** 11 lbs / 5 kg
- **Rigging:** Heavy duty single rigging yoke



Opti RGB / Opti RGB WH



COLORS

- Total of 24 L.E.D.s (8 red, 8 green, 8 blue)
- Full RGB color mixing
- Manual control of colors for static color option



Optional 45° beam angle lens kit available (part no. OptiRGB 45D Kit)

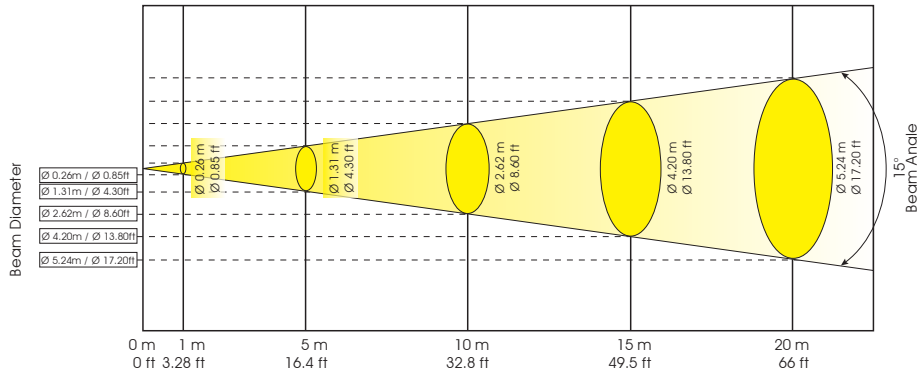
PHOTOMETRICS

Opti RGB Photometric Beam Angle Data

Standard Beam Angle 15°

LUX x 0.0929 = FC

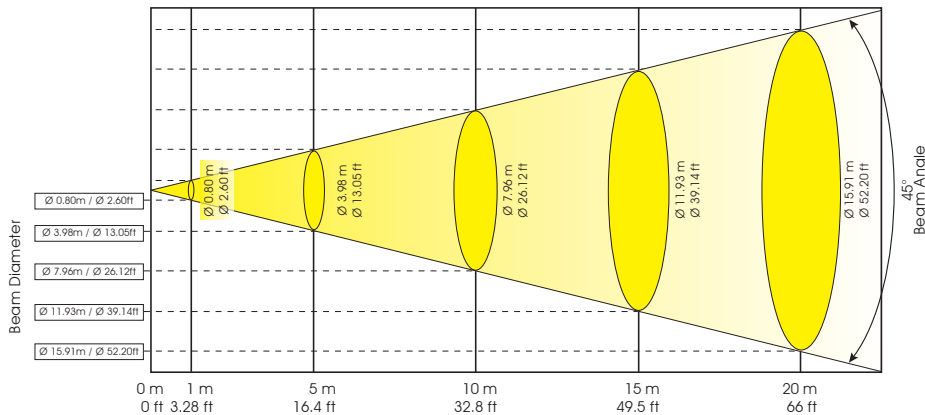
R (8)	111 FC / 1194 LUX	3.7 FC / 39.8 LUX	1.6 FC / 17.5 LUX	0.9 FC / 10.1 LUX	0.8 FC / 8.6 LUX
G (8)	126 FC / 1358 LUX	3.9 FC / 42.5 LUX	2.4 FC / 25.7 LUX	1.4 FC / 14.6 LUX	0.9 FC / 9.5 LUX
B (8)	13 FC / 136.4 LUX	0.3 FC / 3.7 LUX	0.2 FC / 2.5 LUX	0.2 FC / 1.7 LUX	0.1 FC / 1.2 LUX
RGB (24)	217 FC / 2340 LUX	18 FC / 192 LUX	4.7 FC / 50.2 LUX	1.8 FC / 19.7 LUX	1.5 FC / 15.8 LUX



Optional Beam Angle 45° (not included)

LUX x 0.0929 = FC

R (8)	15.5 FC / 124 LUX	0.5 FC / 5.6 LUX	0.3 FC / 2.9 LUX	0.2 FC / 1.9 LUX	0.1 FC / 1.6 LUX
G (8)	18.2 FC / 196 LUX	0.6 FC / 6.4 LUX	0.4 FC / 3.8 LUX	0.2 FC / 2.3 LUX	0.2 FC / 1.9 LUX
B (8)	1.4 FC / 14.6 LUX	0.1 FC / 1.6 LUX	0.1 FC / 1.3 LUX	0.09 FC / 1 LUX	0.1 FC / 0.7 LUX
RGB (24)	33.1 FC / 356 LUX	1.7 FC / 18.1 LUX	0.5 FC / 5.4 LUX	0.3 FC / 2.9 LUX	0.2 FC / 2.4 LUX



DMX TRAITS

Channel	Value	Function
1	0 - 255	Red (0% → 100%)
2	0 - 255	Green (0% → 100%)
3	0 - 255	Blue (0% → 100%)
4	16 - 255	Color macra
5	0 - 15	No function
	16 - 255	Strobe/speed control
6	0 - 31	No function
		<i>Dimming Control</i>
	32 - 63	Dim → Bright
	64 - 95	Bright → Dim
	96 - 127	Dim → Bright → Dim
	128 - 159	Color mixing
	160 - 191	3 color change
	192 - 223	7 color chchange
	224 - 255	Sound active
7	0 - 255	Dimming (0% → 100%)

Product Order Code	Description
OPTI RGB	Black OPTI RGB
OPTI RGB WH	White OPTI RGB
Accessories Order Code	Description
PRO CLAMP	Mounting Clamp
DF 64	Diffusion filter
OPTI RGB 45D KIT	45° Lens Kit
OPTI/BDB	Barn door