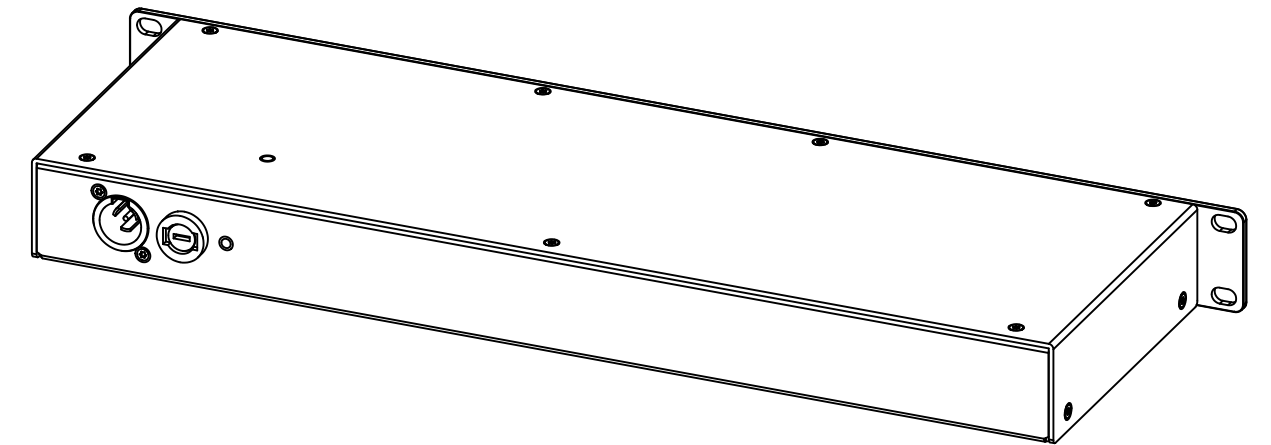
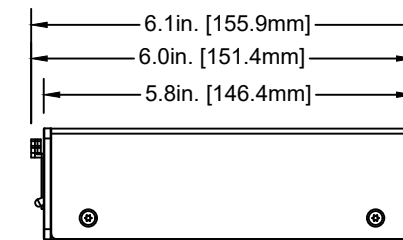
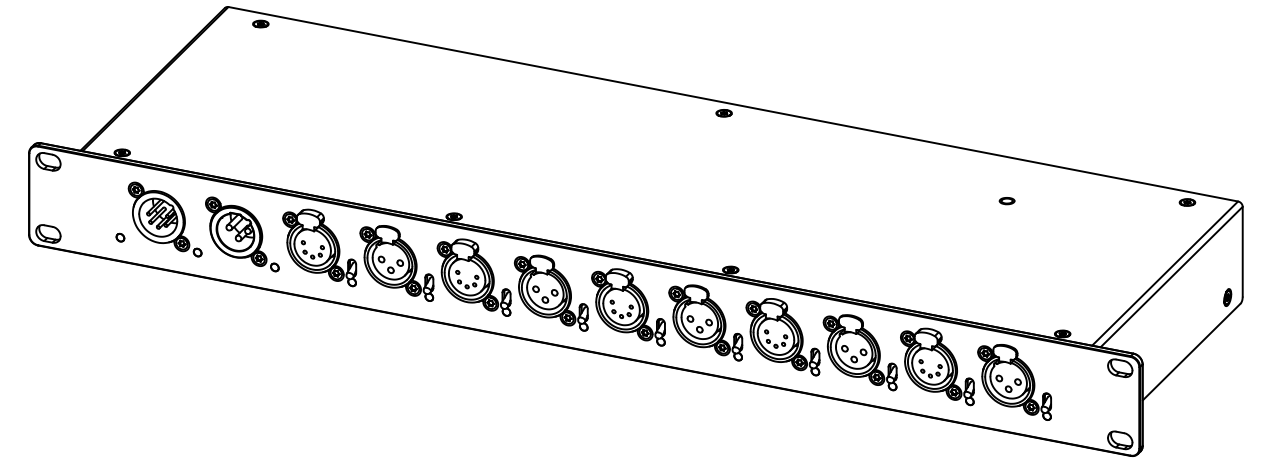
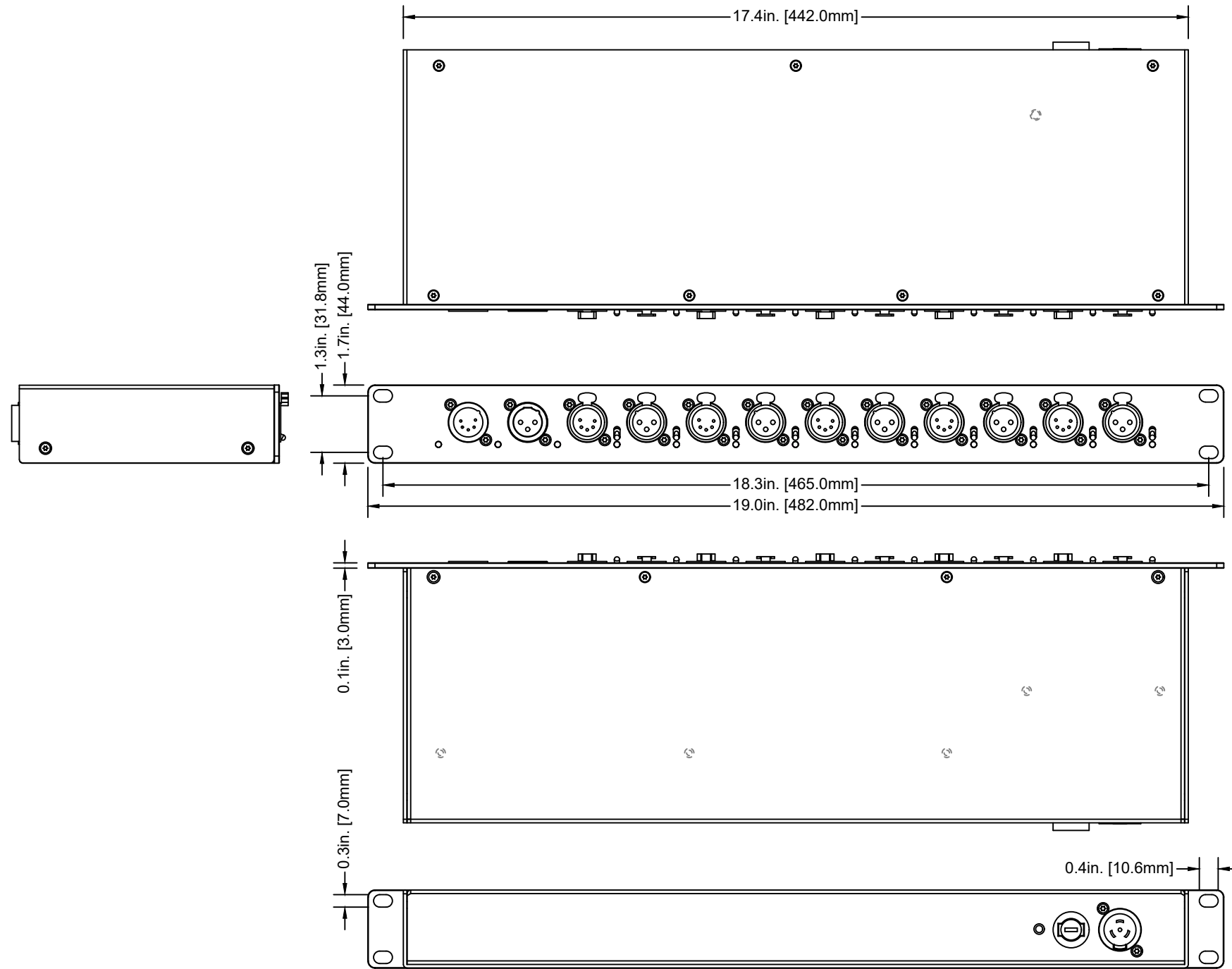


©OBSIDIAN CONTROL SYSTEMS all rights reserved. Information contained within this drawing is proprietary and confidential. Any reproduction and/or distribution of any part of this drawing without the written consent of OBSIDIAN CONTROL SYSTEMS is strictly prohibited. Diagrams and/or measurements herein subject to change without notice.



OBSIDIAN CONTROL SYSTEMS NETRON

TITLE: <b>NETRON DMX10-53</b>		DATE: <b>231206</b>	
SCALE: <b>NONE</b>	TOL: <b>±</b>	<b>.XX(.X)</b> -	<b>.XXX(.XX)</b> -
		ANGLE: -	