
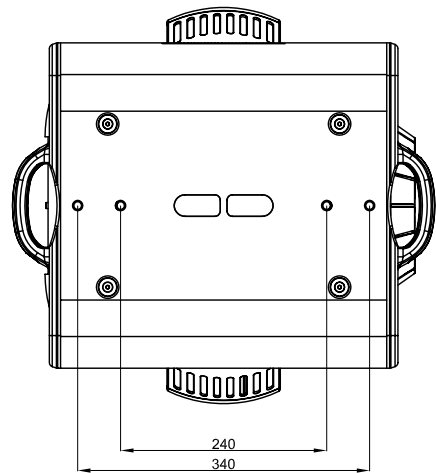
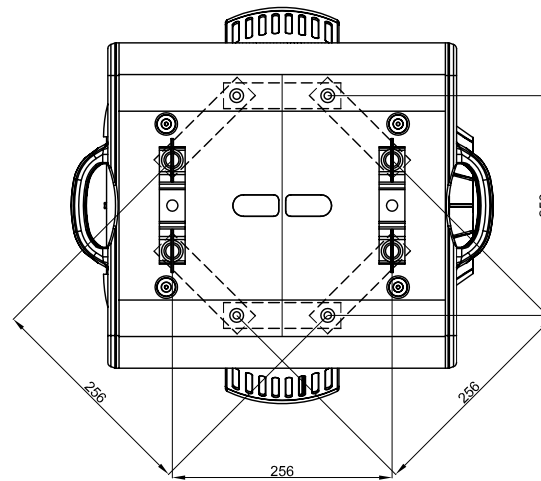


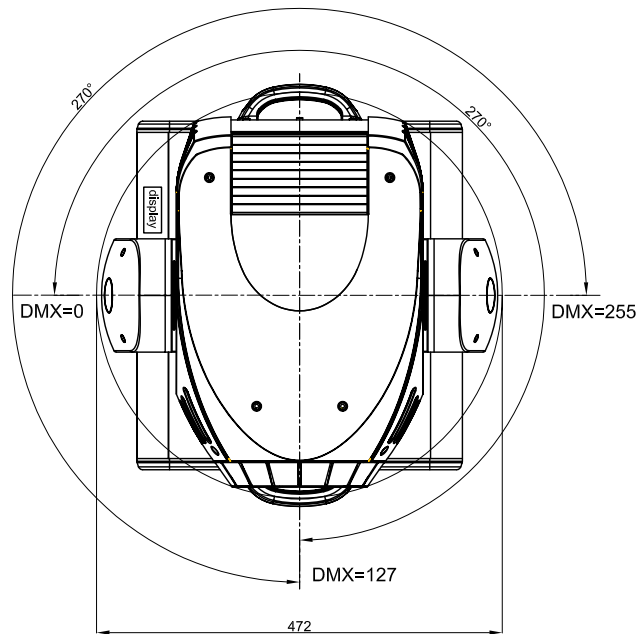
| | | |
|--------------|----------------------|---|
| PRODUCT: | POWER SPOT 700 |  |
| TITLE: | Dimensions | |
| DOCUMENT: | All dimensions in mm | |
| VERSION: 1.0 | DATE: 20.07.2006 | |
| | | SHEET:01 OF 02 |



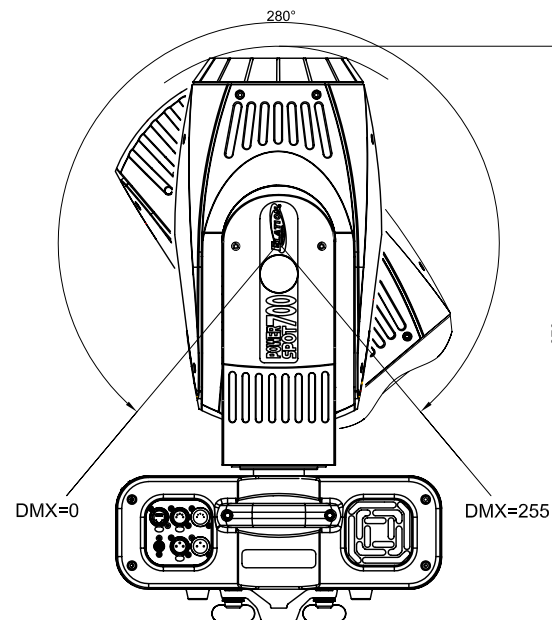
M10 nut position scheme




Camloc fastener position scheme



Pan movement range: 540°



Tilt movement range: 280°

| | | |
|--------------|----------------------|---|
| PRODUCT: | POWER SPOT 700 |  |
| TITLE: | Dimensions | |
| DOCUMENT: | All dimensions in mm | |
| VERSION: 1.0 | DATE: 20.07.2006 | |
| | | SHEET:02 OF 02 |